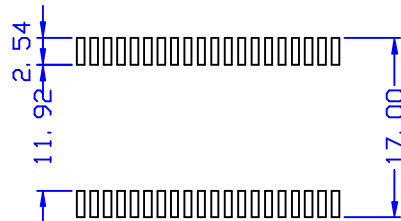
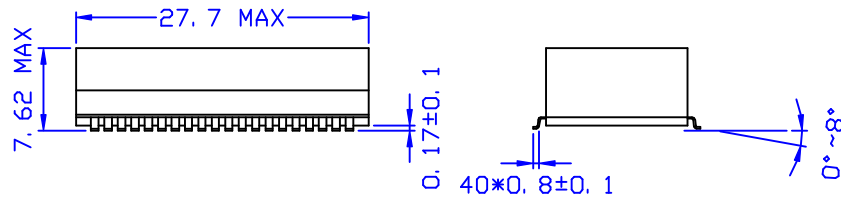
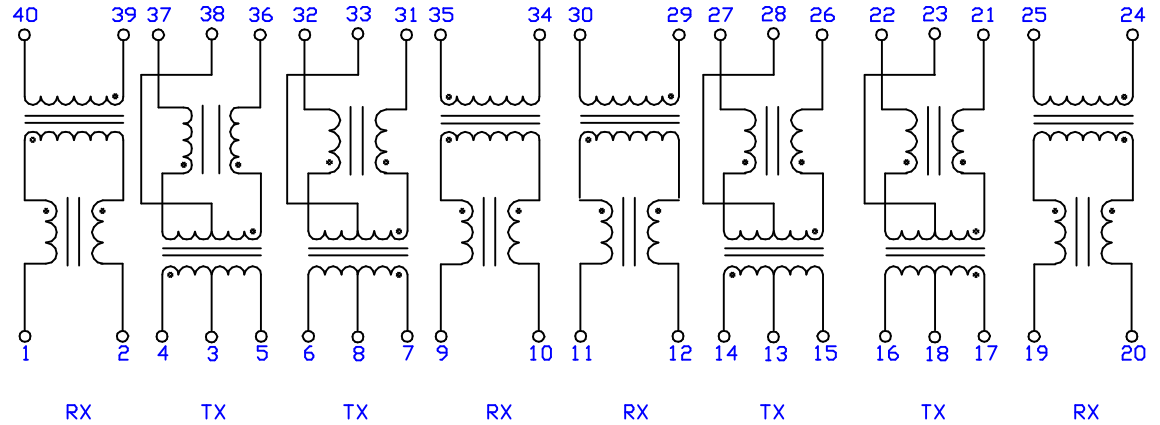


DOT PIN#1



PCB SUGGEST PAD LAYOUT TOLERANCE : ± 0.25



ELECTRICAL SPECIFICATIONS AT 25°C : <H1060 COMPATIBLE>

1. .PRI./SEC. ISOLATION : 1500 Vrms.
2. TURNS RATIO(TX&RX) : TX=1CT: 1CT ; RX=1: 1 ± 5%
3. INSULATION RESISTANCE : 10,000 M OHM
4. COMMON TO COMMON REJECTION RATIO : -30 dB TYP
5. INSERTION LOSS : -0.5 dB TYP 0.1-100 MHZ
6. PRI. DCL(TX&RX) : 350 uH MIN. AT 100 KHZ, 0.1V 8mA
7. PRI./SEC. Cw/w(TX&RX) : ± 28 pF MAX.
8. TX/RX L/L : 0.5 uH MAX.
9. PRI. DCR(TX&RX) : 0.9 OHM MAX.
10. RETURN LOSS : 2-30MHZ 40MHZ 50MHZ 60-80MHZ dB MIN  
-21 -17 -14.5 -12
11. DIFFERENTIAL TO COMMON MODE REJECTION :  
1-60MHZ 60-200MHZ dB MIN  
-40 -30
12. .CROSS TALK : 1MHZ 30MHZ 60MHZ 100MHZ dB MIN  
-65 -50 -40 -30

					<b>Atech</b> <sup>®</sup>		TITLE 10/100 BASE-T TRANSFORMER	
					Atech Technology Co., Ltd.		DWG. NO.	
					TEL:(02)2794-8867 FAX:(02)2794-8004		ATPL-128	
A	MANY	04/23/2001	DOLLY	SUEDY	UNITS:	SAFETY		SHEET 1 of 1
	RELEASE	04/19/2001	PAIR	SUEDY	M/M			DRAW
NO:	DESCRIPTION	DATE	BY	CHK	APPD	DATE	Pair	
REVISIONS						04/19/01		